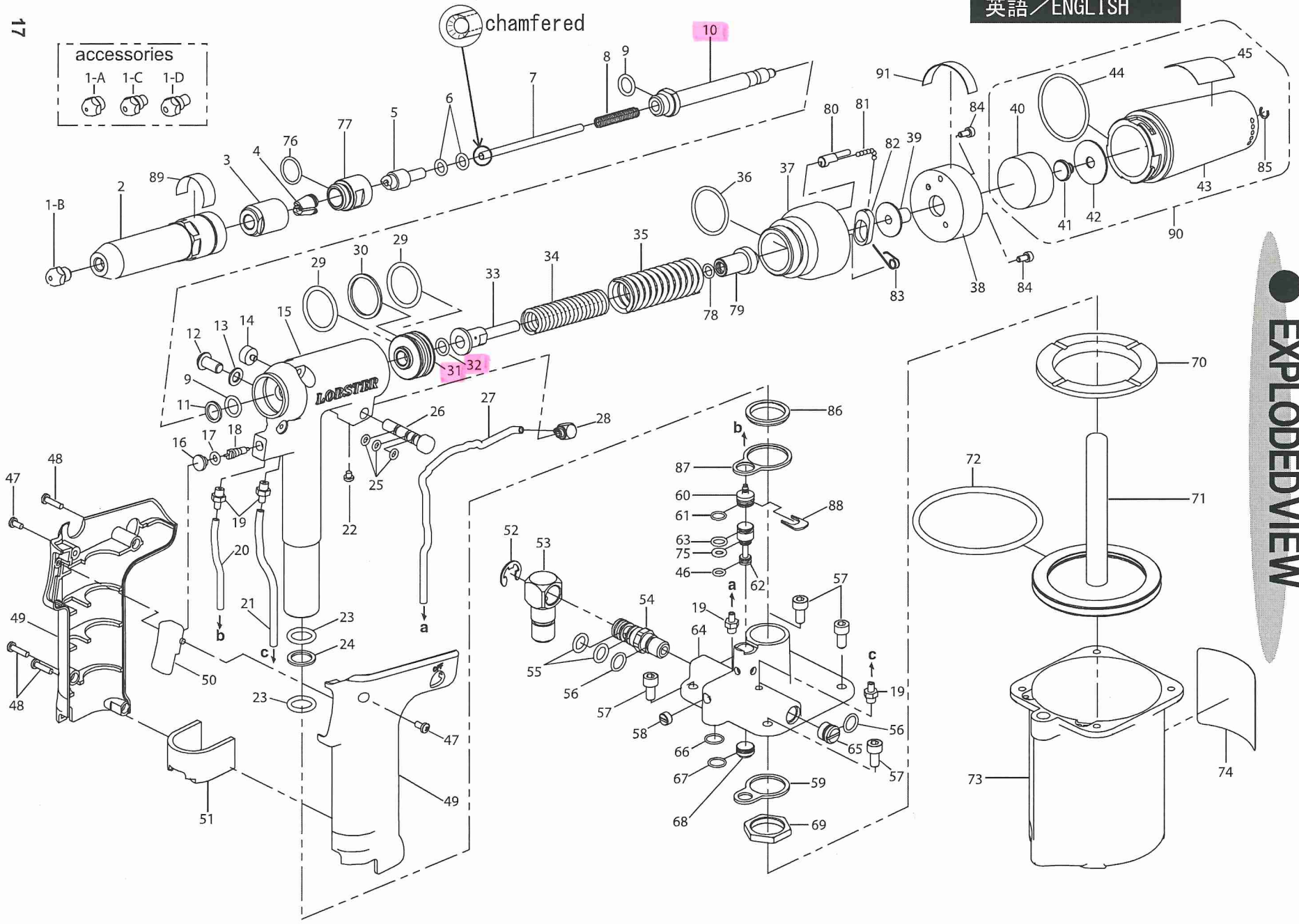


- accessories
- 1-A
 - 1-C
 - 1-D



PARTSLIST



英語 / ENGLISH

Index No.	Part name	Code No.	Material	Index No.	Part name	Code No.	Material
1-A	Nosepiece 2.4 (3/32)	10027	Steel	46	O-ring S5	10276	Rubber
1-B	Nosepiece 3.2 (1/8)	10028	Steel	47	Cross recessed pan head screw M3x6	63250	Steel
1-C	Nosepiece 4.0 (5/32)	10029	Steel	48	Tapping Screw for synthetic resin M3x12	63251	Steel
1-D	Nosepiece 4.8 (3/16)	10030	Steel	49	Grip Cover LR	63263	Plastic
2	Frame Head 'CJM'	64055	Steel	50	Trigger	63227	Plastic
③	Jaw Case Head	10116	Steel	⑤①	Silencer Sponge	63968	Plastic
④	Ultra Jaws (pair) 'M'	10281	Steel	52	E-type Retaining Ring 8	63186	Steel
⑤	Jaw Pusher	63410	Steel	53	Rotary Joint	63184	Aluminum
⑥	O-ring P6	10150	Rubber	54	Spool Connector	63185	Aluminum
⑦	Guide Tube SUS	64875	Stainless	55	O-ring P8	10336	Rubber
⑧	Jaw Pusher Spring	63222	Steel	56	O-ring S9	63180	Rubber
9	O-ring P9	10219	Rubber	57	Hex Socket bolt M5 × 10	64409	Steel
10	Oil Piston 'A'	67631	Steel	58	Stop screw mass production	63245	Plastic
11	B-ring P9	13012	Plastic	59	Air Valve Head Retainer	63183	Steel
12	Bleed plug	63213	Steel	60	Air Valve Head	63979	Stainless
13	Sealing Washer	63209	Rubber	61	O-ring SS7.5	63181	Rubber
14	Vacuum Stop Button	63207	Aluminum	62	Air Valve	63174	Aluminum
15	Frame 'A'	64874	Aluminum	63	O-ring S7	12114	Rubber
16	Switch	63204	Plastic	64	Cylinder Cap 'A'	64873	Aluminum
17	O-ring P4	10454	Rubber	65	Spool Cap	63175	Aluminum
18	Valve Core	63203	①	66	O-ring SS9.5	63969	Rubber
19	Barb Coupling for Soft Tube	43732	Brass	67	O-ring SS9	63182	Rubber
20	Urethane Tube 70	63211	Plastic	68	Valve Cap	63177	Plastic
21	Urethane Tube 87	63210	Plastic	69	Frame Fixing Nut	63228	Steel
22	Cross Recessed Pan Head Screw M3x3	63247	Steel	70	Cushion Rubber	63178	Rubber
23	O-ring P12	10128	Rubber	71	Air Piston Set	63170	③
24	B-ring P12	10129	Plastic	72	O-ring 0670G	63244	Rubber
25	O-ring S4	29664	Rubber	73	Cylinder Cup	63220	Aluminum
26	Vacuum Stop Valve	63205	Aluminum	74	Warning Label	61075	②
27	Urethane Tube 153	63212	Plastic	75	O-ring P5	12120	Rubber
28	Barb Elbow for Soft Tube	63226	Brass	⑦⑥	O-ring S10	10151	Rubber
29	O-ring P22	10180	Rubber	⑦⑦	Jaw Case 'CJM'	64054	Steel
30	B-ring P22	10181	Plastic	78	O-ring S6	10220	Rubber
31	Oil Piston Flange 'A'	67632	Steel	79	Inner shaft of frame cap	64403	Aluminum
32	O-ring P7	10149	Rubber	80	Shutter Lever	64400	Stainless
33	Oil Piston Backward Axis 'A'	64399	Steel	81	Ball Chain	64406	Stainless
34	Return Spring IN	63241	Steel	82	Shutter Body	64401	Stainless
35	Return Spring OUT	63242	Steel	--	Shutter Unit	65057	--
36	O-ring S25	63243	Rubber	83	Helical torsion spring of shutter	64404	Stainless
37	Frame Cap 'A'	64405	Aluminum	84	Hex Socket bolt M3 × 7	64410	Steel
38	Tank Joint	63237	Plastic	85	Crescent type Retaining Ring 21	29187	Steel
39	Outer shaft of frame cap	64402	Steel	86	Bush	64871	Steel
④⑩	Tank Case Sponge	63252	Plastic	87	Air Valve Head Retainer R1A2	63960	Steel
41	Screw for inner surface of tank case	63231	Steel	88	Air Valve Head Rock Plate	63961	Steel
42	Inner surface of tank case	63230	Stainless	89	Frame Head Seal	64598	Plastic
43	Tank Case	63215	Plastic	90	Tank Case Unit	63277	--
44	O-ring S36	63234	Rubber	91	Tank Attaching Seal	67461	②
45	Caution Label	22040	②				

Material ①:Brass,Steel,Plastic,Rubber

Material ②:Paper,Plastic

Material ③:Aluminum,Steel

Note

- Parts with circled Index No. are consumable parts. They should be replaced periodically.
- Index No. 5 includes two Index No. 6.
- Index No. 43 includes Index No. 45.
- Index No. 73 includes Index No. 74.
- Index No. 77 should be attached Index No. 76.
- Index No. 81 (Ball Chain) and Index No. 82 (Shutter Body) will be provided by Shutter Unit (65057)